



**SUBMITTAL DATA – WALL-MOUNTED  
LM018CO-130P433-E - LM018CI-130P433-E  
SINGLE ZONE MINI-SPLIT COOLING ONLY**

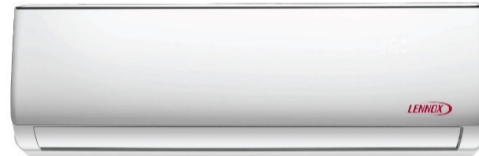
Job: \_\_\_\_\_  
Location: \_\_\_\_\_  
Schedule No.: \_\_\_\_\_  
System Designation: \_\_\_\_\_

Engineer: \_\_\_\_\_  
Architect: \_\_\_\_\_  
Date: \_\_\_\_\_

**FEATURES**

**Outdoor Unit: LM018CO-130P433-E**  
**Outdoor Unit Cat Number: 22F57**

**Indoor Unit: LM018CI-130P433-E**  
**Indoor Unit Cat Number: 22F56**



- 3 Meter Copper Pipe Included
- Gold Fin

- Auto Restart
- Wireless Remote
- Emergency Control
- Louver position memory
- Hidden LED Display
- I Feel

**PIPING**

Line Set and Elevation Guidelines	
Maximum Line Set Length ft. (m)	49.2 ft. (15 m)
Maximum Elevation - Outdoor Unit Below/Above Indoor Unit ft. (m)	16.4 ft. (5 m)
Liquid Line Set Diameter (in.)	1/4"
Gas Line Set Diameter (in.)	1/2"

**PRODUCT WARRANTY**

5 Year Limited Warranty\*  
\_\_\_\_\_  
\_\_\_\_\_

**OPTIONAL ACCESORIES**

\_\_\_\_\_  
\_\_\_\_\_



**NOTE** – Due to Lennox' ongoing commitment to quality, Specifications, Ratings, and Dimensions are subject to change without notice and without incurring liability. Improper installation, adjustment, alteration, service or maintenance can cause property damage or personal injury. Installation and service must be performed by a qualified installer and servicing agency



**SUBMITTAL DATA – WALL-MOUNTED  
LM018CO-130P433-E - LM018CI-130P433-E  
SINGLE ZONE MINI-SPLIT COOLING ONLY**

**OUTDOOR SPECIFICATIONS**

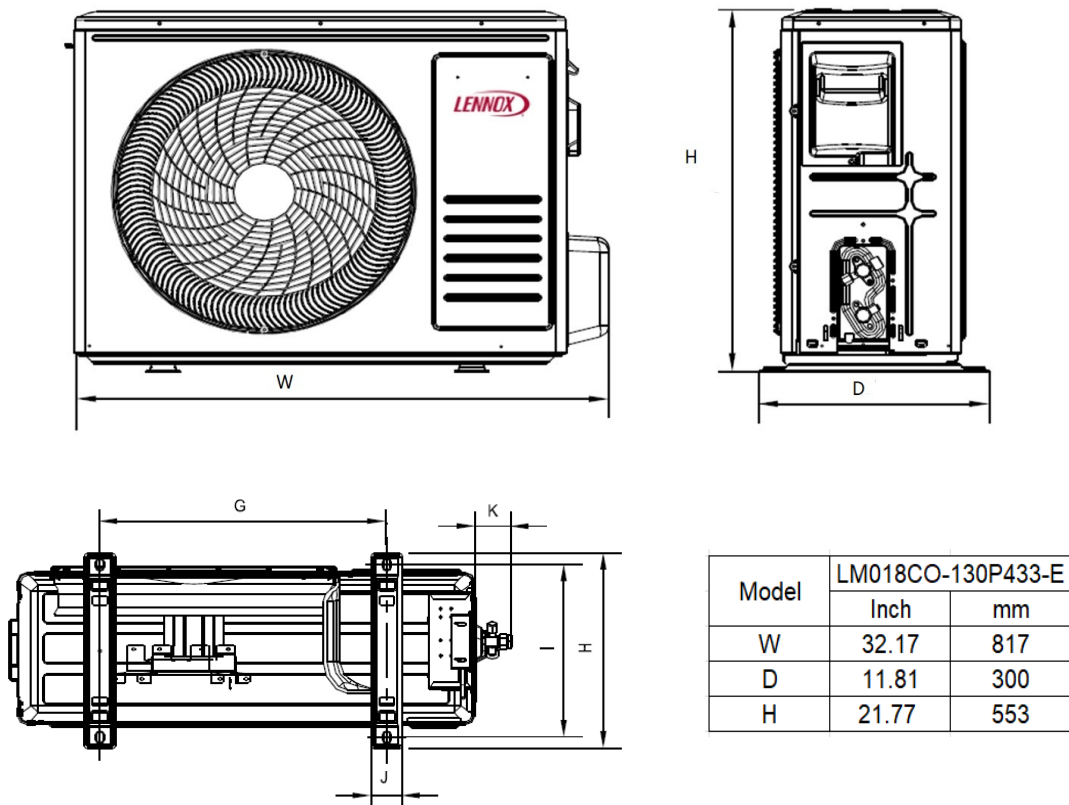
PERFORMANCE	
Cooling Capacity (Btu/h)	17,998
EER(W/W)	2.85
SEER(BTUH/W)	12.8
Heating Capacity (Btu/h)	/
COP	/
Outdoor Fan Total Air Volume (CFM)	1165
Ambient Temperature Operating Range	
Cooling	64 °F(18°C) - 109 °F(43°C)
Heating	/
ELECTRICAL DATA	
Power Supply (V/Hz/ϕ)	208-230/60/1
Minimum Circuit Ampacity (A)	/
Maximum Overcurrent Protection (A)	/
Outdoor Fan Motor RLA (A)	0.4
Compressor RLA (A)	6.35
No. of Compressors	1

GENERAL DATA	
Connection Ratio (%)	100%
Max. # of Indoor Units	1
Sound Data (dBA) - Cooling/Heating	58
Refrigerant type	R-410A
Factory refrigerant charge	1.92 lbs. 30.69 oz.

DIMENSIONS		
Unit Dimensions (in)	Height	22
	Width	32
	Depth	12
Shipping Weight (lb)		82
Net Weight (lb)		71

**NOTES**  
1. Cooling and Heating Capacity data is rated at the following conditions:  
Cooling: 80 °FDB / 67 °FWB Indoor, 95 °FDB/75 °FWB Outdoor  
Heating: 68 °FDB / 59 °FWB Indoor, 44.6 °FDB/ 42.8 °FWB Outdoor

**OUTDOOR DIMENSIONAL DRAWINGS - INCHES (MM)**



Model	LM018CO-130P433-E	
	Inch	mm
W	32.17	817
D	11.81	300
H	21.77	553

**NOTE** – Due to Lennox’ ongoing commitment to quality, Specifications, Ratings, and Dimensions are subject to change without notice and without incurring liability. Improper installation, adjustment, alteration, service or maintenance can cause property damage or personal injury. Installation and service must be performed by a qualified installer and servicing agency



**SUBMITTAL DATA – WALL-MOUNTED  
LM018CO-130P433-E - LM018CI-130P433-E  
SINGLE ZONE MINI-SPLIT COOLING ONLY**

**INDOOR SPECIFICATIONS**

**PERFORMANCE**

Airflow (CFM)	Turbo	/
	High	500
	Medium	458
	Low	375
External Static Pressure (in. w.g.)		-
Sound Pressure (dBA)	Turbo	/
	High	44
	Medium	40
	Low	36

**ELECTRICAL DATA**

Power Supply (V/Hz/φ)	208-230/60/1
Rated load amps (RLA)	0.28
Power Output (W)	23

**DIMENSIONS**

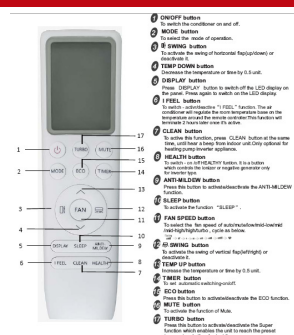
Unit Dimensions (in)	Height	8
	Width	36
	Depth	12
Unit Net/Shipping Weight (lb)		22/29

**WIRELESS REMOTE CONTROLLER SPECIFICATIONS**

**23C82**

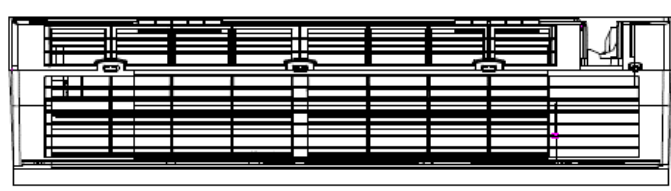
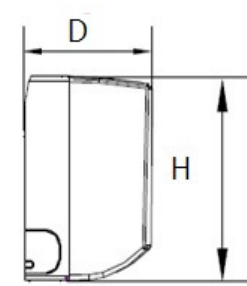
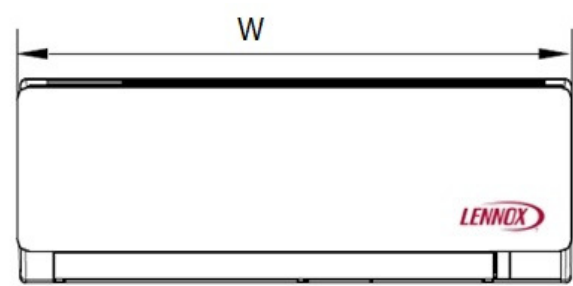
Power Supply	2 AAA Batteries (Included)
Setpoint Range	61°F (16°C) - 88°F (31°C)
Effective Receiving Range	20 ft. (6m)

**DISPLAY**



- 1. **POWER** button: To switch the conditioner on and off.
- 2. **MODE** button: To cycle through modes of operation.
- 3. **SWING** button: To activate the swing of horizontal flap(s) and/or louvers.
- 4. **TEMP DOWN** button: To decrease the temperature set point or sleep by 0.5 unit.
- 5. **TEMP UP** button: To increase the temperature set point or sleep by 0.5 unit.
- 6. **HEALTHY** button: Press the HEALTHY button to switch off the LCD display on the panel. Press again to switch on the LCD display.
- 7. **FEEL** button: To activate temperature "FEEL" function. The set point will regulate the room temperature, take into consideration the room conditions and the sensor will automatically adjust the fan speed.
- 8. **CLEAN** button: To clean the fan blades, press CLEAN button at the same time. Press the button again after 30 seconds and only usable for high speed fan speed.
- 9. **HEALTHY** button: To activate the HEALTHY function. It is a button which activates the indoor air purifier function only.
- 10. **ANTI-MOLD** button: Press the button to activate the Anti-Mold function.
- 11. **SLEEP** button: To activate the "SLEEP" function.
- 12. **FAN SPEED** button: To select the speed of speed-controlled fan speed. Press the button to cycle through the fan speed: OFF, Low, Med, and High.
- 13. **SWING** button: To activate the swing of vertical flap(s) and/or louvers.
- 14. **TEMP UP** button: To increase the temperature set point or sleep by 0.5 unit.
- 15. **TEMP DOWN** button: To decrease the temperature set point or sleep by 0.5 unit.
- 16. **ECO** button: Press the button to activate the ECO function.
- 17. **MEMO** button: To activate the Memo function.
- 18. **TIME** button: Press the button to activate the Sleep Timer function. Press the button to set the sleep timer.

**INDOOR DIMENSIONAL DRAWINGS - INCHES (MM)**



Model	LM018CI-130P433-E	
	Inch	mm
W	35.83	910
D	11.57	294
H	8.11	206

**NOTE** – Due to Lennox' ongoing commitment to quality, Specifications, Ratings, and Dimensions are subject to change without notice and without incurring liability. Improper installation, adjustment, alteration, service or maintenance can cause property damage or personal injury. Installation and service must be performed by a qualified installer and servicing agency