



**SUBMITTAL DATA – CASSETTE TYPE
LISH012000P431-C - LICH4012180P431-C
SINGLE ZONE INVERTER MINI-SPLIT HEAT PUMP**

Job: _____
Location: _____
Schedule No.: _____
System Designation: _____

Engineer: _____
Architect: _____
Date: _____

FEATURES

Outdoor Unit: **LISH012000P431-C**
Outdoor Unit Cat Number: **Y9263**

Indoor Unit: **LICH4012180P431-C**
Indoor Unit Cat Number: **LGLSD**



- DC Inverter Compressor
- DC ODU Motor
- Golden Fin
- Low Ambient Cooling

- Auto Restart
- 360° Airflow
- DC IDU Motor
- Easy Installation
- Washable Filter

PIPING

Line Set and Elevation Guidelines

Maximum Line Set Length ft. (m)	82 ft. (25 m)
Maximum Elevation - Outdoor Unit Below/Above Indoor Unit ft. (m)	33 ft. (10 m)
Liquid Line Set Diameter (in.)	1/4"
Gas Line Set Diameter (in.)	1/2"

PRODUCT WARRANTY

5 Year Limited Warranty*

OPTIONAL ACCESORIES

Wired Control (KJR-120G2/TFBG-E-03)



NOTE – Due to Lennox’ ongoing commitment to quality, Specifications, Ratings, and Dimensions are subject to change without notice and without incurring liability. Improper installation, adjustment, alteration, service or maintenance can cause property damage or personal injury. Installation and service must be performed by a qualified installer and servicing agency



SUBMITTAL DATA – CASSETTE TYPE
LISH012000P431-C - LICH4012180P431-C
SINGLE ZONE INVERTER MINI-SPLIT HEAT PUMP

OUTDOOR SPECIFICATIONS

PERFORMANCE

Cooling Capacity (Btu/h)	12,000
EER(W/W)	4.1
SEER(BTUH/W)	21.5
Heating Capacity (Btu/h)	12,000
HSPF	10.5

Outdoor Fan Total Air Volume (CFM)	1,180
------------------------------------	-------

Ambient Temperature Operating Range

Cooling	-22°F(-30°C) - 122°F(50°C)
Heating	-22°F(-30°C) - 86°F(30°C)

ELECTRICAL DATA

Power Supply (V/Hz/ϕ)	208-230/60/1
Minimum Circuit Ampacity (A)	9
Maximum Overcurrent Protection (A)	15
Outdoor Fan Motor RLA (A)	0.38
Compressor RLA (A)	5.65
No. of Compressors	1

GENERAL DATA

Connection Ratio (%)	100%
Max. # of Indoor Units	1
Sound Data (dBA) - Cooling/Heating	57
Refrigerant type	R-410A
Factory refrigerant charge	3.3 lbs. 52.9 oz.

DIMENSIONS

Unit Dimensions (in)	Height	21.8
	Width	31.5
	Depth	13.1

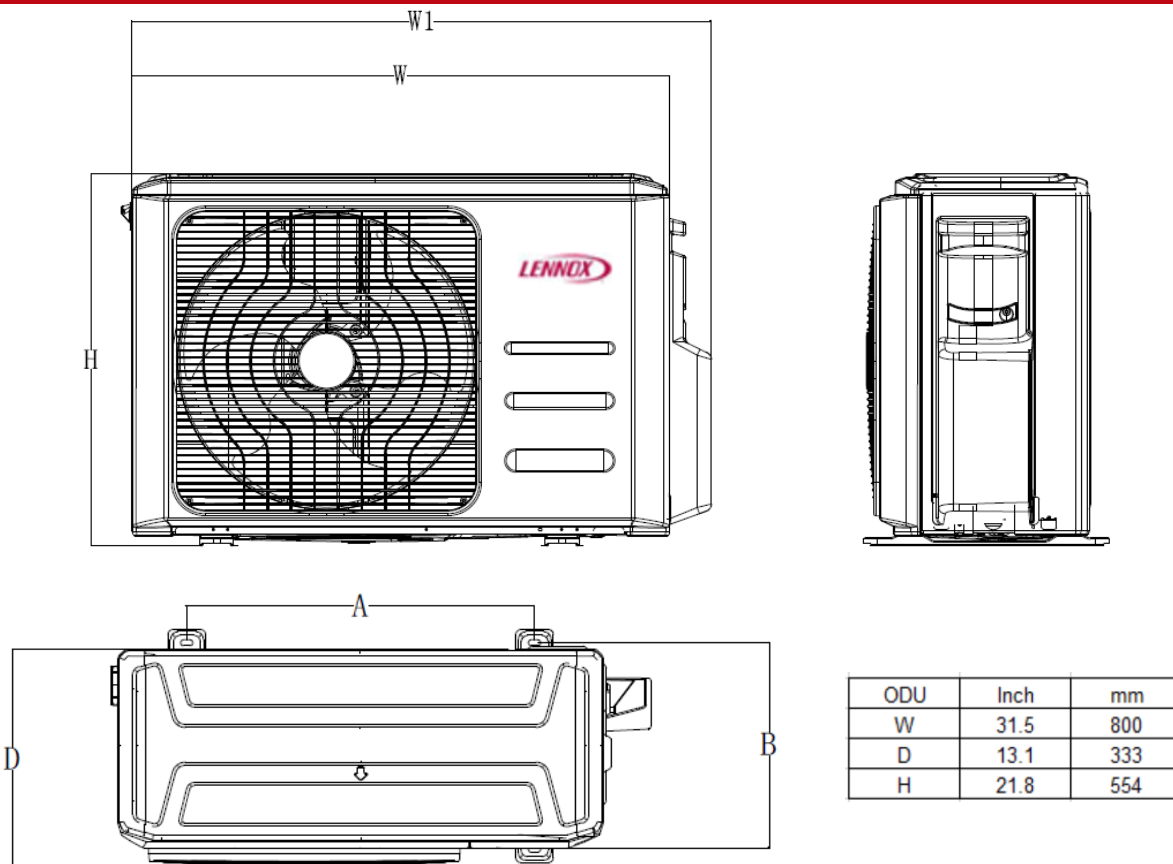
Shipping Weight (lb)	93.7
----------------------	------

Net Weight (lb)	88.2
-----------------	------

NOTES

- Cooling and Heating Capacity data is rated at the following conditions:
Cooling: 80°FDB / 67°FWB Indoor, 95°FDB/ 75°FWB Outdoor
Heating: 70°FDB / 60°FWB Indoor, 47°FDB/ 43°FWB

OUTDOOR DIMENSIONAL DRAWINGS - INCHES (MM)



NOTE – Due to Lennox' ongoing commitment to quality, Specifications, Ratings, and Dimensions are subject to change without notice and without incurring liability. Improper installation, adjustment, alteration, service or maintenance can cause property damage or personal injury. Installation and service must be performed by a qualified installer and servicing agency



SUBMITTAL DATA – CASSETTE TYPE
LISH012000P431-C - LICH4012180P431-C
SINGLE ZONE INVERTER MINI-SPLIT HEAT PUMP

INDOOR SPECIFICATIONS

PERFORMANCE

Airflow (CFM)	Turbo	/
	High	379
	Medium	309
	Low	261
External Static Pressure (in. w.g.)		-
Sound Pressure (dBA)	Turbo	/
	High	43
	Medium	39
	Low	36

ELECTRICAL DATA

Power Supply (V/Hz/ϕ)	208-230/60/1
Rated load amps (RLA)	0.9
Power Output (W)	46

DIMENSIONS

Unit Dimensions (in)	Height	10.2
	Width	22.4
	Depth	22.4
Unit Net/Shipping Weight (lb)		35.3/41

WIRELESS REMOTE CONTROLLER SPECIFICATIO

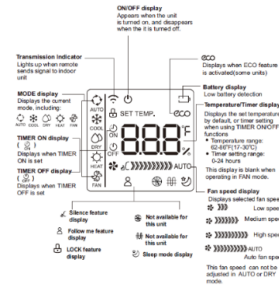
18Y54 (RG66A1/BGEFU1)

Power Supply	2 AAA Batteries (Included)
--------------	----------------------------

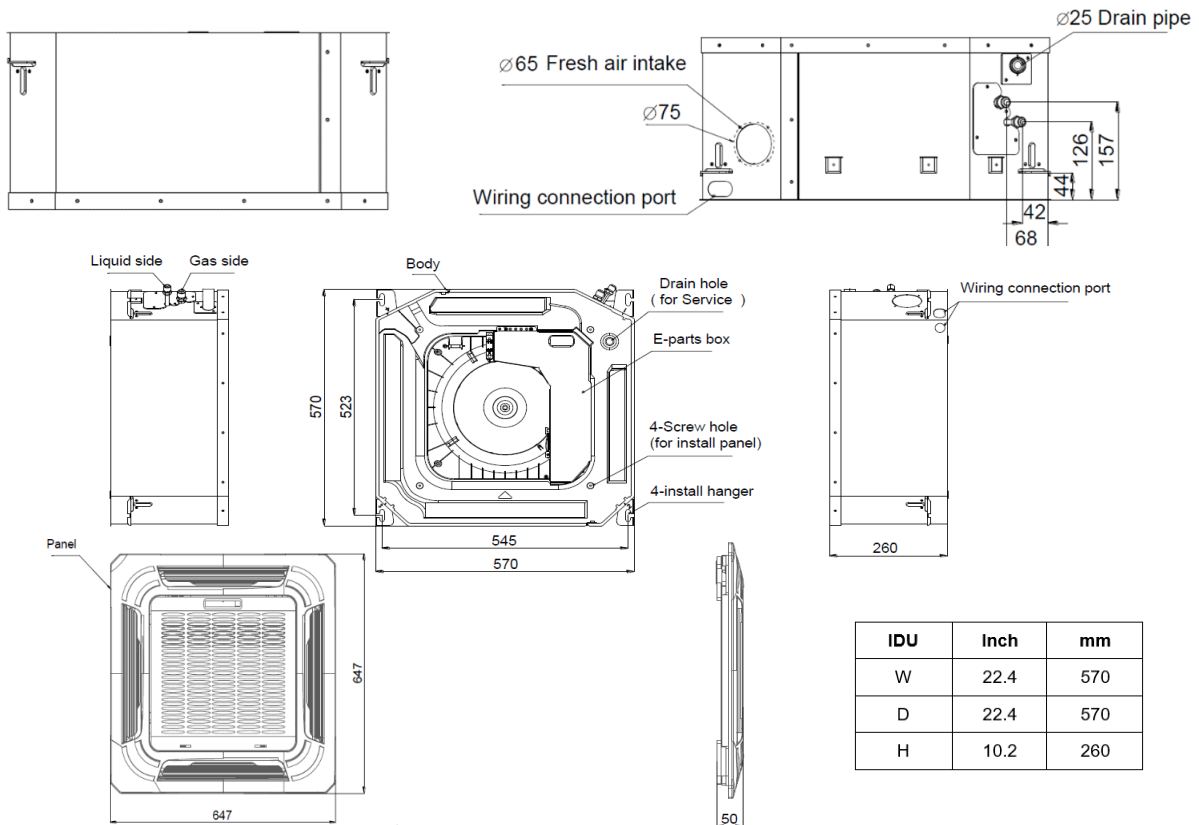
Setpoint Range	62°F(17°C) - 86°F(30°C)
----------------	-------------------------

Effective Receiving Range	26 ft.(8m)
---------------------------	------------

DISPLAY



INDOOR DIMENSIONAL DRAWINGS - INCHES (MM)



NOTE – Due to Lennox' ongoing commitment to quality, Specifications, Ratings, and Dimensions are subject to change without notice and without incurring liability. Improper installation, adjustment, alteration, service or maintenance can cause property damage or personal injury. Installation and service must be performed by a qualified installer and servicing agency